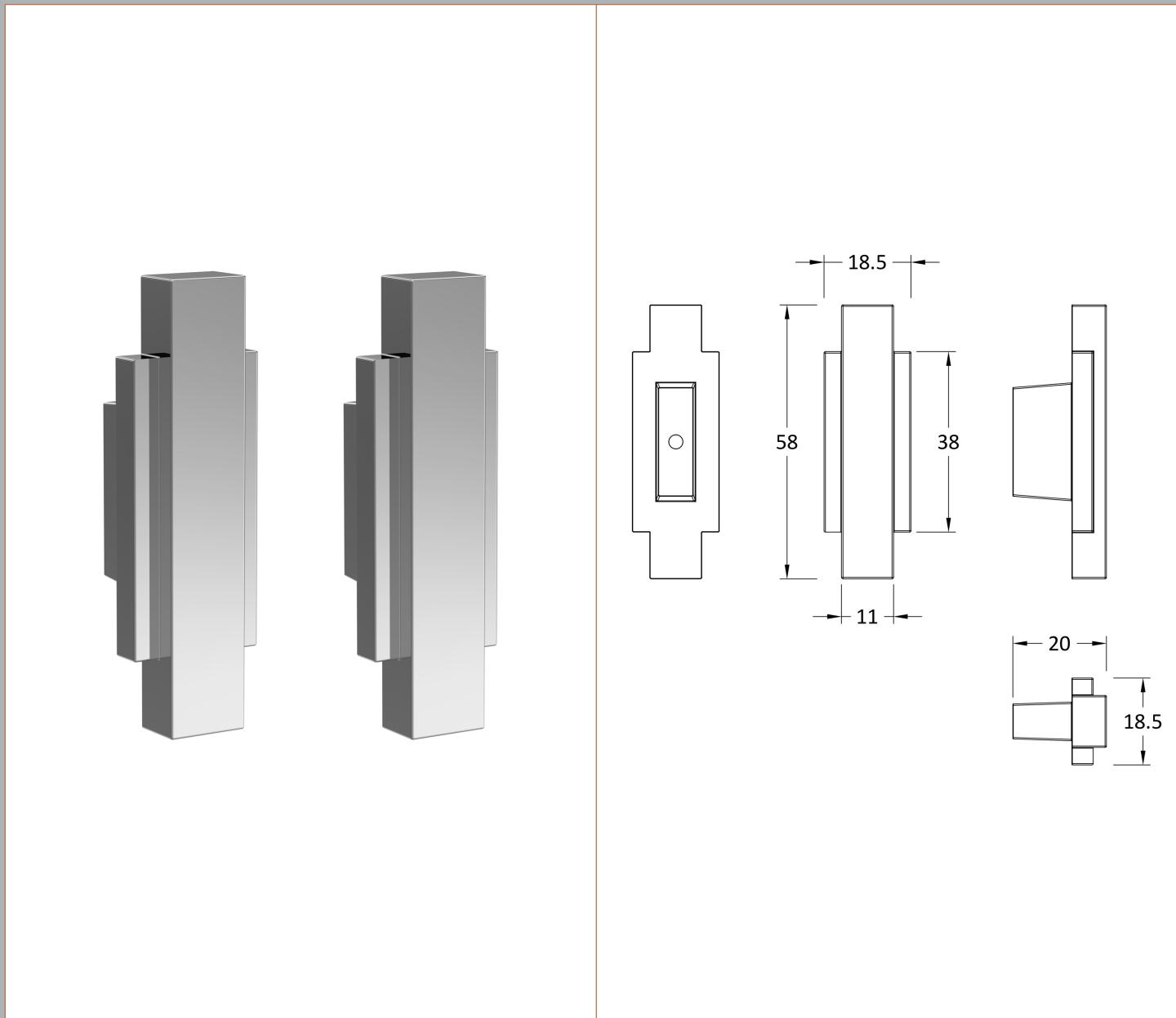


Sales Code: BCFHAN2C

Description: Victrion Furniture Handles - Set Of 2



Product Dimensions

Length (mm):	
Width (mm):	19
Height (mm):	58
Depth (mm):	20
Nett Weight (kg):	0.01

Packaging Dimensions

Height (mm):	0
Width (mm):	0
Depth (mm):	0
Gross Weight (kg):	0.01

Packaging Data

Box Colour:	
Box Qty:	
Label Size:	x
Label Colour:	
Label Qty:	

Outer Box Dimensions (If Applicable)

Height (mm):	
Width (mm):	
Length (mm):	
Depth (mm):	
Gross Weight (kg):	
Barcode:	5056462619026

Product Details

Country of Origin:	China
Fitting Instruction:	
CE & UKCA:	
Product Material:	
Heating Element Wattage:	
Colour/Finish:	Chrome
Product Diameter:	
Connection Size:	