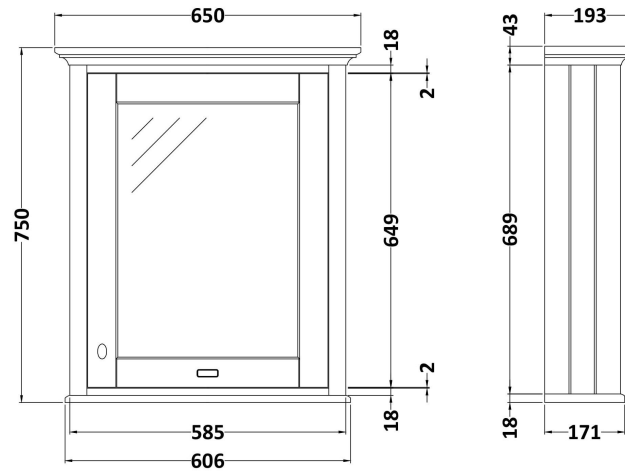


Sales Code: BCMC600EG

Description: 600 Mirror Cabinet



Product Dimensions

Height (mm):	750
Width (mm):	650
Depth (mm):	198
Nett Weight (kg):	24

Packaging Dimensions

Height (mm):	782
Width (mm):	680
Depth (mm):	223
Gross Weight (kg):	24.5

Packaging Data

Box Colour:	Brown Cardboard Box
Box Qty:	1
Label Size:	150 x 100
Label Colour:	White Label
Label Qty:	2

Outer Box Dimensions (If Applicable)

Height (mm):	
Width (mm):	
Depth (mm):	
Gross Weight (kg):	
Barcode:	5056462645100

Product Details

Country of Origin:	Ireland
Fitting Instruction:	
CE & UKCA:	
FSC Certified Materials:	Yes
Colour:	Light Grey
Construction Method:	Cam & Wood Dowel
Construction Type:	Rigid
Cabinet Finish:	Mdf Vinyl Textured Woodgrain
Fascia Finish:	Mdf Vinyl Textured Woodgrain
Cabinet Thickness (mm):	18
Fascia Thickness (mm):	18
Drawer Included:	Not Applicable
Drawer Type:	Not Applicable
No of Shelves:	1
Hinge Type:	95 Degree Inset Clip-On S/C
Hinge Included:	Yes
Adjustable Legs:	Not Applicable
Fixings Included:	Yes
Handle Style:	Traditional
Waste Shroud:	Not Applicable
Handle Included:	Yes
Handle Type:	Knob