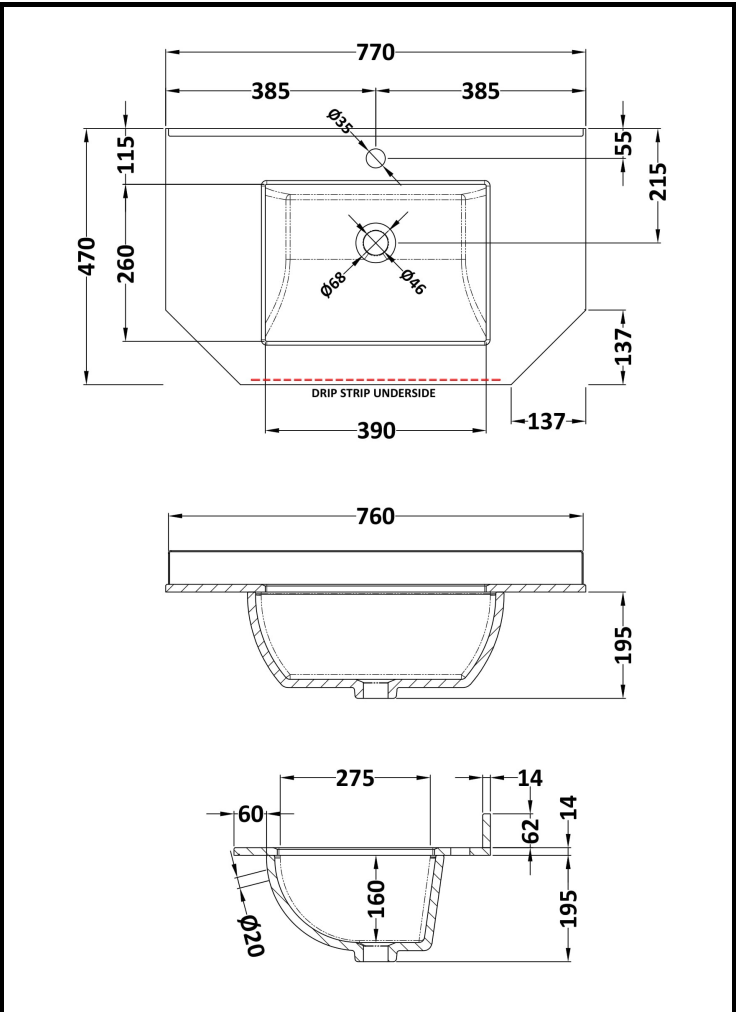
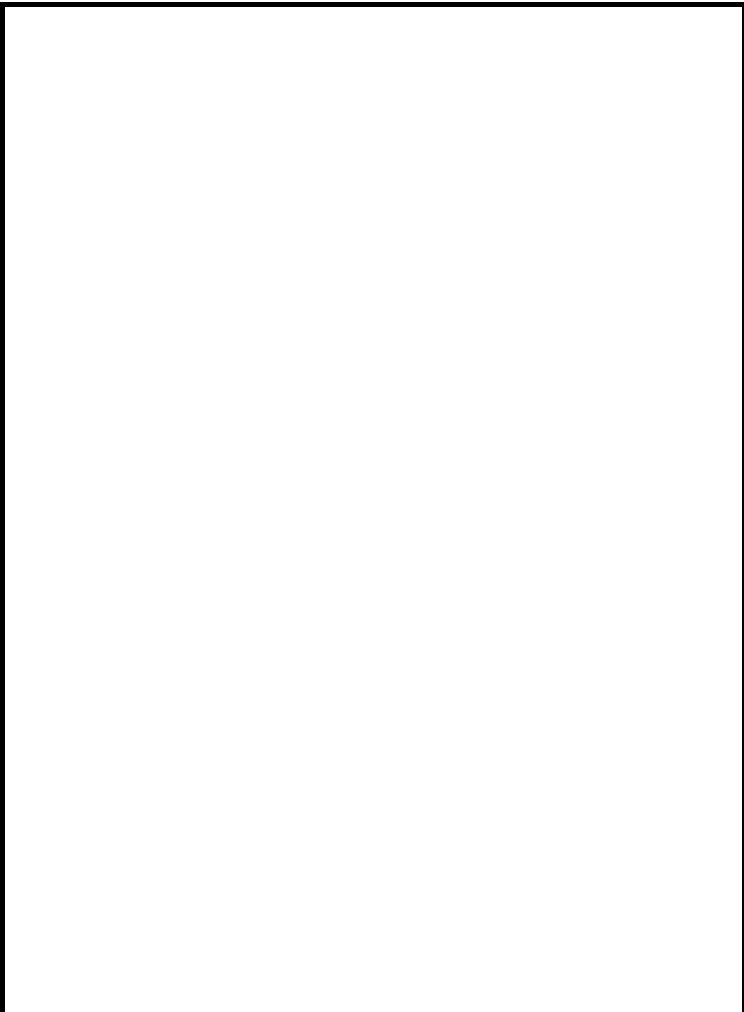


CUSTOMER DATA SHEET - CERAMICS

SALES CODE:		DESCRIPTION:	
--------------------	--	---------------------	--



PRODUCT DIMENSIONS			
Height (mm)	Width (mm)	Depth (mm)	Nett Wgt Kg

PACKAGING DIMENSIONS			
Height (mm)	Width (mm)	Depth (mm)	Gross Wgt Kg

PACKAGING DATA			
Box Colour		Label Colour	
Box Qty		Label Qty	
Label Size	x	Label Qty	

OUTER BOX DIMENSIONS (If Applicable)			
Height (mm)	Width (mm)	Depth (mm)	Gross Wgt Kg
Barcode			

PRODUCT DETAILS	
Country of Origin	
Fitting Instruction	

Certification	CE	WRAS	WRAS Number
Product Material			

PANS/BIDETS	
Trap Style	Includes Seat

CISTERNS	
Fittings	Operating Type
Lever Type	

SEAT	
Type	Function
Material	
Hinge Type	Hinge Material

BASINS	
Tap Hole	Chain Stay Hole
Template	Waste Type Req'd
Overflow Incl.	Overflow Cover
Inner Bowl Depth	

GENERAL	
Fixing Supplied	