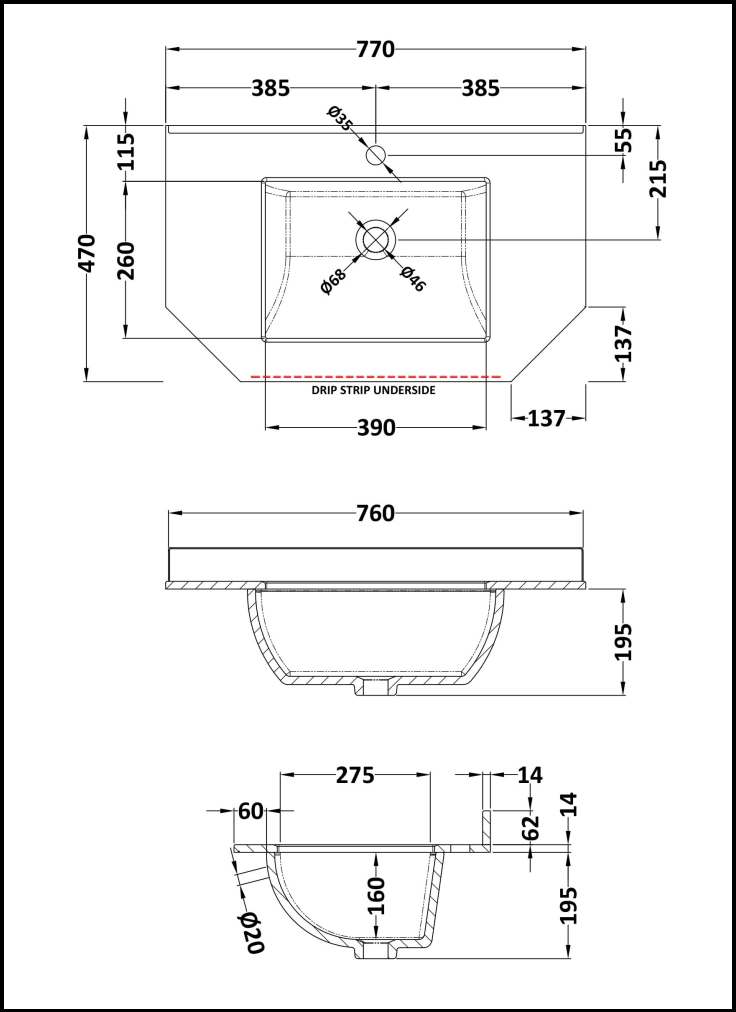


# CUSTOMER DATA SHEET - CERAMICS

<b>SALES CODE:</b>		<b>DESCRIPTION:</b>	
--------------------	--	---------------------	--



PRODUCT DIMENSIONS			
Height (mm)	Width (mm)	Depth (mm)	Nett Wgt Kg

PACKAGING DIMENSIONS			
Height (mm)	Width (mm)	Depth (mm)	Gross Wgt Kg

PACKAGING DATA			
Box Colour		Label Colour	
Box Qty		Label Qty	
Label Size	x	Label Qty	

OUTER BOX DIMENSIONS (If Applicable)			
Height (mm)	Width (mm)	Depth (mm)	Gross Wgt Kg
Barcode			

## PRODUCT DETAILS

Country of Origin	
Fitting Instruction	

Certification	CE	WRAS	WRAS Number
Product Material			

PANS/BIDETS			
Trap Style		Includes Seat	

CISTERNS			
Fittings		Operating Type	
Lever Type			

SEAT			
Type		Function	
Material			
Hinge Type		Hinge Material	

BASINS			
Tap Hole		Chain Stay Hole	
Template		Waste Type Req'd	
Overflow Incl.		Overflow Cover	
Inner Bowl Depth			

GENERAL	
Fixing Supplied	