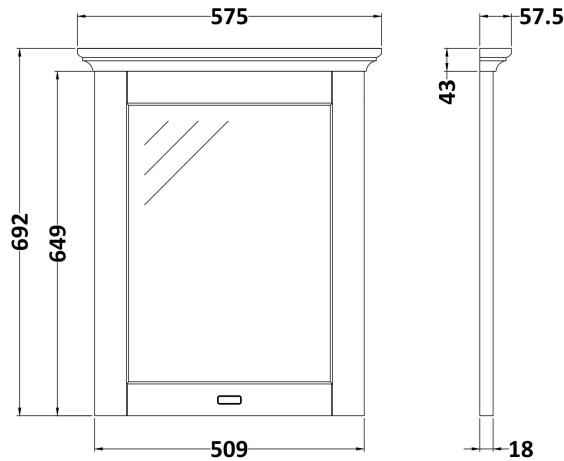


Sales Code: BCM600DL

Description: 600 Flat Mirror



Product Dimensions

Height (mm):	692
Width (mm):	575
Depth (mm):	58
Nett Weight (kg):	5.3

Packaging Dimensions

Height (mm):	724
Width (mm):	615
Depth (mm):	90
Gross Weight (kg):	5.8

Packaging Data

Box Colour:	Brown Cardboard Box
Box Qty:	1
Label Size:	150 x 100
Label Colour:	White Label
Label Qty:	1

Outer Box Dimensions (If Applicable)

Height (mm):	
Width (mm):	
Depth (mm):	
Gross Weight (kg):	
Barcode:	5056462645056

Product Details

Country of Origin:	Ireland
Fitting Instruction:	
CE & UKCA:	
FSC Certified Materials:	Yes
Colour:	Charcoal
Construction Method:	Cam & Wood Dowel
Construction Type:	Rigid
Cabinet Finish:	Not Applicable
Fascia Finish:	Mdf Vinyl Textured Woodgrain
Cabinet Thickness (mm):	
Fascia Thickness (mm):	18
Drawer Included:	Not Applicable
Drawer Type:	Not Applicable
No of Shelves:	Not Applicable
Hinge Type:	Not Applicable
Hinge Included:	Not Applicable
Adjustable Legs:	Not Applicable
Fixings Included:	Yes
Handle Style:	Not Applicable
Waste Shroud:	Not Applicable
Handle Included:	Not Applicable
Handle Type:	Not Applicable