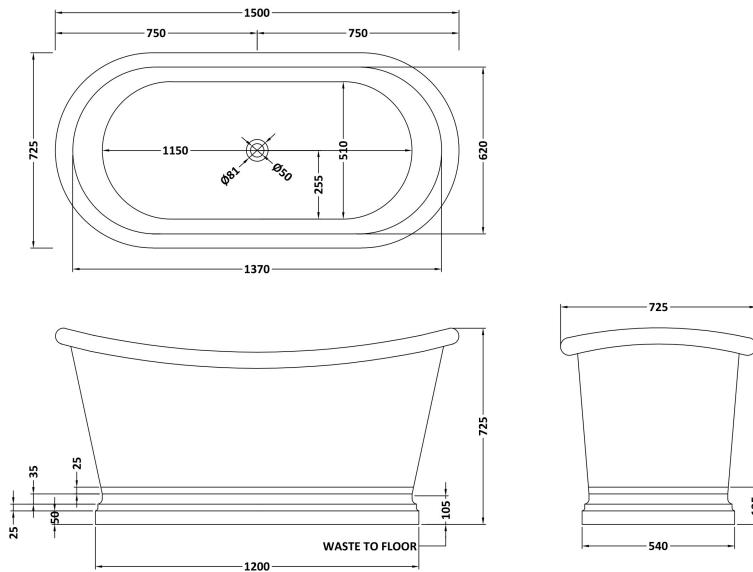


Sales Code: BAC017

Description: 1500 Antique Boat With Nickel Inner



Product Dimensions

Length (mm):	1500
Width (mm):	700
Depth (mm):	700
Nett Weight (kg):	40

Packaging Dimensions

Length (mm):	1600
Width (mm):	820
Depth (mm):	800
Gross Weight (kg):	67.75

Packaging Data

Box Colour:	
Box Qty:	0
Label Size:	0 x 0
Label Colour:	
Label Qty:	0

Outer Box Dimensions (If Applicable)

Length (mm):	
Width (mm):	
Height (mm):	
Gross Weight (kg):	
Barcode:	5056462649948

Product Details

Country of Origin:	India
Fitting Instruction:	
Certification:	FSC: No CE & UKCA:
Material Colour Reference:	Not Applicable
Product Material:	Copper
Material Thickness:	
Volume (Ltr):	180L
Displaced Capacity:	110L
Leg Set Included:	Legset Not Included
Waste Included:	Waste Not Included
Drilled/Undrilled:	Undrilled For Taps
Includes Grips:	No Grips Supplied
Embossed:	No
No of Tapholes:	None
Anti-Slip:	No