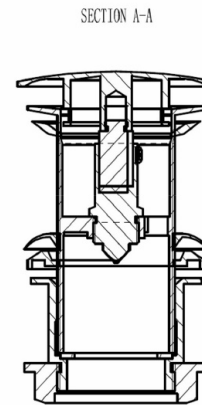
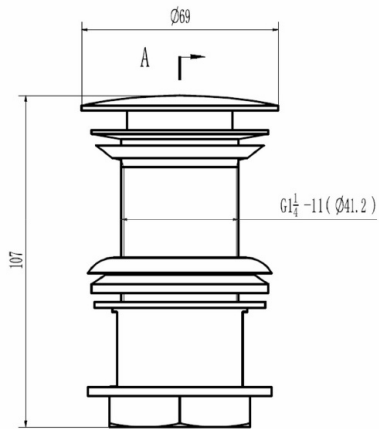


**Sales Code:** WAS220

**Description:** Push Down Basin Waste (Unslotted)



**Product Dimensions**

Length (mm):  
 Width (mm):  
 Height (mm):  
 Depth (mm):  
 Nett Weight (kg): 0.35

**Packaging Dimensions**

Height (mm): 105  
 Width (mm): 75  
 Depth (mm): 75  
 Gross Weight (kg): 0.35

**Packaging Data**

Box Colour:  
 Box Qty:  
 Label Size: x  
 Label Colour:  
 Label Qty:

**Outer Box Dimensions (If Applicable)**

Height (mm):  
 Width (mm):  
 Length (mm):  
 Depth (mm):  
 Gross Weight (kg):  
 Barcode: 5056462609416

**Product Details**

Country of Origin: United Kingdom  
 Fitting Instruction:  
 CE & UKCA:  
 Product Material:  
 Heating Element Wattage:  
 Colour/Finish:  
 Product Diameter:  
 Connection Size: