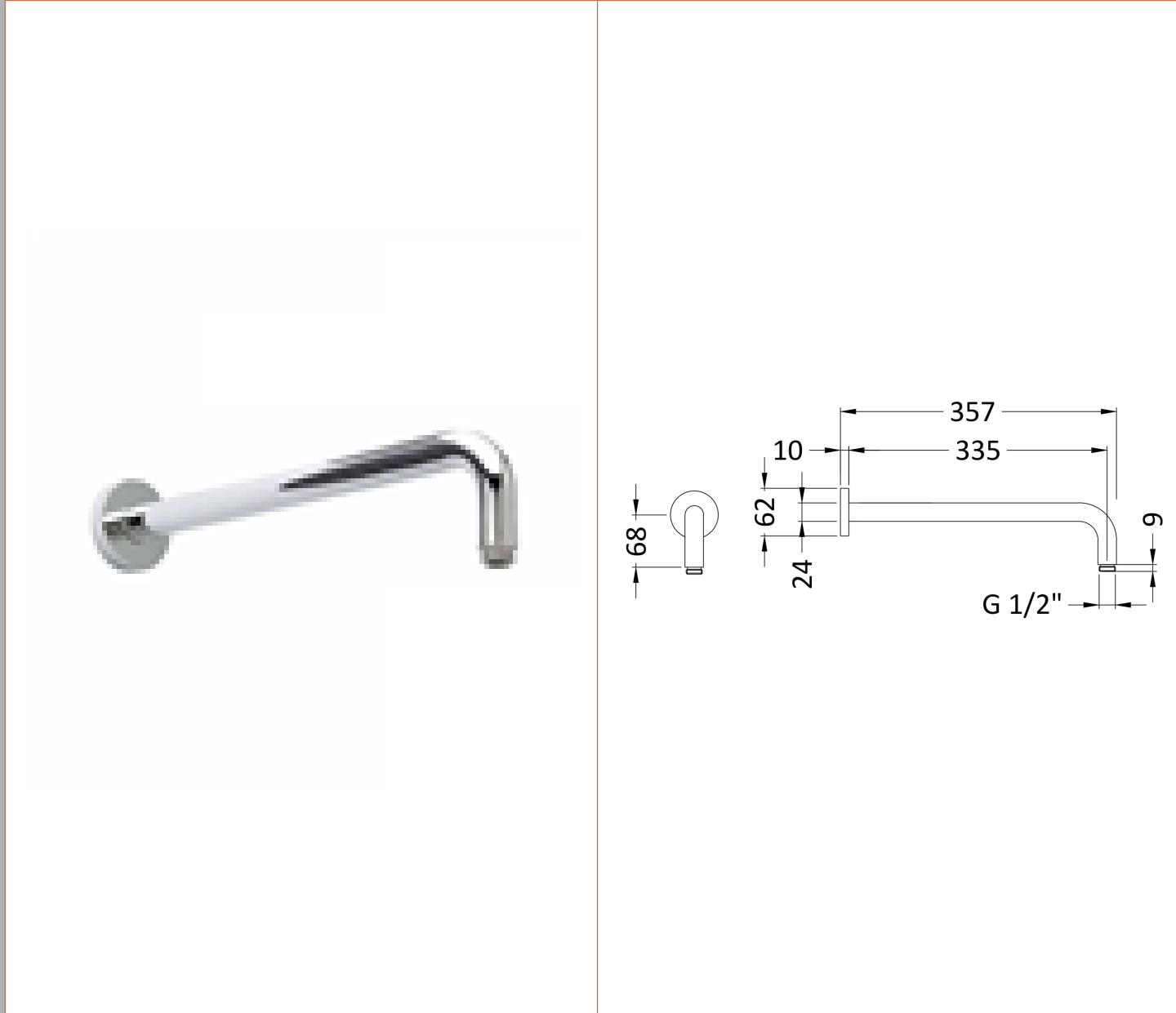


**Sales Code:** CSC225BG

**Description:** Victrion Straight Wall Shower Arm



**Product Dimensions**

Length (mm):	
Width (mm):	
Height (mm):	
Depth (mm):	
Nett Weight (kg):	0.32

**Packaging Dimensions**

Length (mm):	102
Width (mm):	38
Height (mm):	420
Gross Weight (kg):	0.5

**Packaging Data**

Box Colour:	
Box Qty:	
Label Size:	x
Label Colour:	
Label Qty:	

**Outer Box Dimensions (If Applicable)**

Length (mm):	
Width (mm):	
Height (mm):	
Depth (mm):	
Gross Weight (kg):	
Barcode:	5056462640419

**Product Details**

Country of Origin:	United Kingdom
Fitting Instruction:	
Product Material:	
Mount Type:	
Outlet Elbow Supplied:	
Easy Clean:	
Head Included:	
Handset Included:	
Body Jets Included:	
No of Body Jets:	
Operating Pressure (bar):	
Valve/Cartridge Type:	
Flow Rates (L/min):	0.1 bar:      0.5 bar:      1 bar:      2 bar:      3 bar:
TMV2 Approved:	Approval No:
TMV3 Approved:	Approval No:
WRAS Approved:	Approval No:
Head Function:	
Handset Function:	
Body Jet Info:	
Pipe Size:	
Pipe Centres:	
Colour/Finish:	
Hose Included:	
No. of Outlets:	