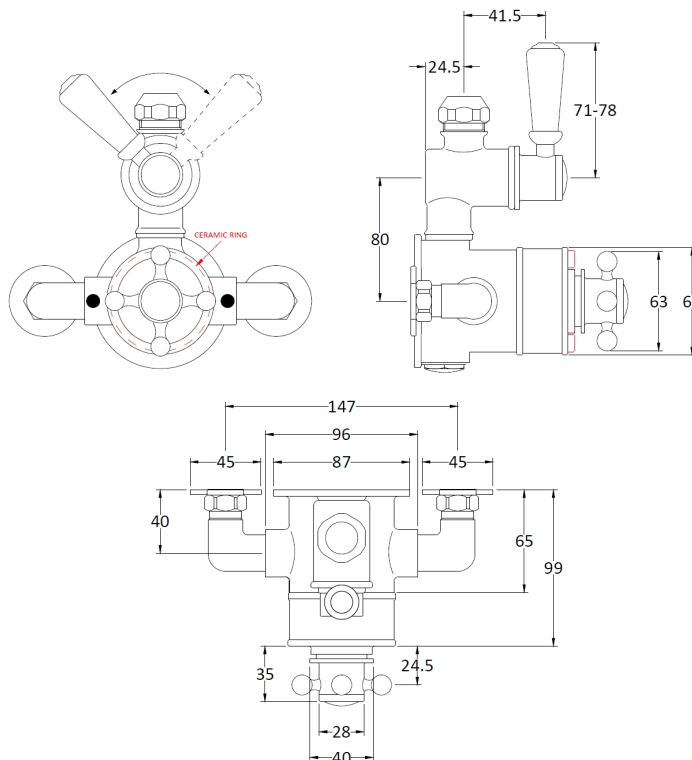


Sales Code: CSA025BG

Description: Victrion Twin Exposed Valve



Product Dimensions

| | |
|-------------------|-----|
| Length (mm): | |
| Width (mm): | 195 |
| Height (mm): | 206 |
| Depth (mm): | 135 |
| Nett Weight (kg): | 3 |

Packaging Dimensions

| | |
|--------------------|-----|
| Length (mm): | 245 |
| Width (mm): | 215 |
| Height (mm): | 170 |
| Gross Weight (kg): | 3 |

Packaging Data

| | |
|---------------|---------------------|
| Box Colour: | White Cardboard Box |
| Box Qty: | 1 |
| Label Size: | 100 x 50 |
| Label Colour: | White Label |
| Label Qty: | 1 |

Outer Box Dimensions (If Applicable)

| | |
|--------------------|---------------|
| Length (mm): | |
| Width (mm): | 440 |
| Height (mm): | 480 |
| Depth (mm): | 520 |
| Gross Weight (kg): | |
| Barcode: | 5056462639772 |

Product Details

| | |
|---------------------------|--|
| Country of Origin: | United Kingdom |
| Fitting Instruction: | |
| Product Material: | Brass |
| Mount Type: | Wall |
| Outlet Elbow Supplied: | Not Applicable |
| Easy Clean: | Not Applicable |
| Head Included: | No |
| Handset Included: | No |
| Body Jets Included: | Not Applicable |
| No of Body Jets: | Not Applicable |
| Operating Pressure (bar): | 0.1 |
| Valve/Cartridge Type: | 1/4 Turn Ceramic Disc |
| Flow Rates (L/min): | 0.1 bar: 4.5 0.5 bar: 13 1 bar: 18.5 2 bar: 26 3 bar: 33 |
| TMV2 Approved: | No Approval No: N/A |
| TMV3 Approved: | No Approval No: N/A |
| WRAS Approved: | No Approval No: N/A |
| Head Function: | Not Applicable |
| Handset Function: | Not Applicable |
| Body Jet Info: | Not Applicable |
| Pipe Size: | 15 mm (1/2" Bsp) |
| Pipe Centres: | 150mm |
| Colour/Finish: | Brushed Gold |
| Hose Included: | Not Applicable |
| No. of Outlets: | 1 |