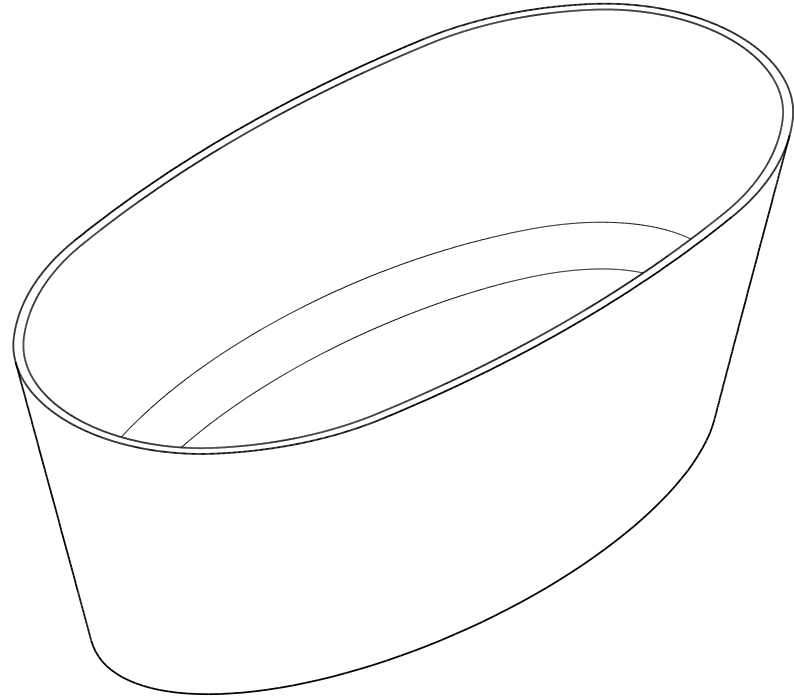
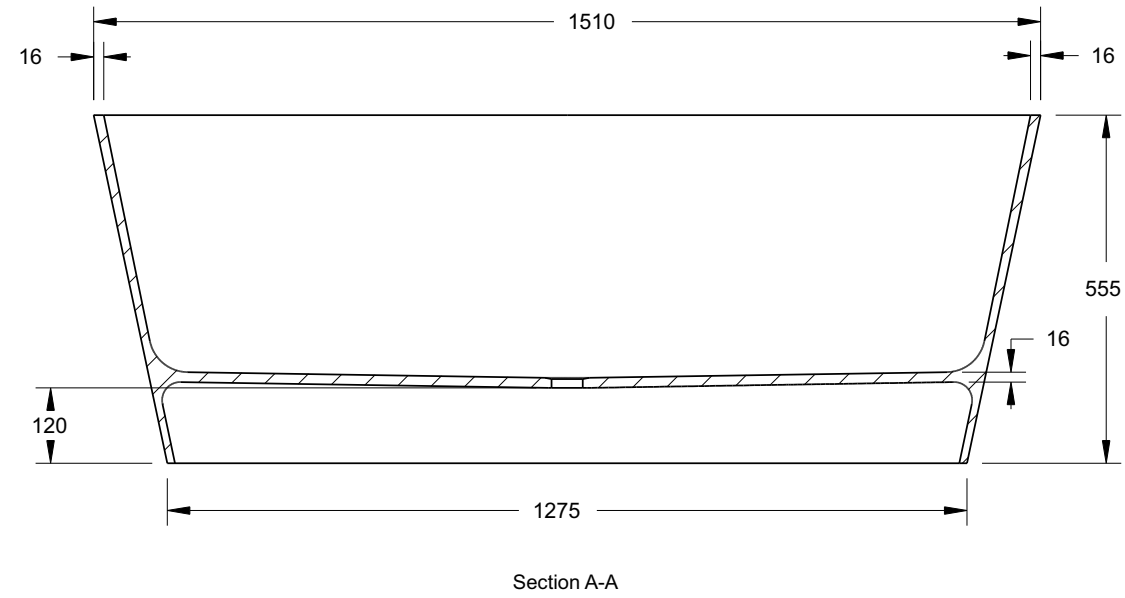
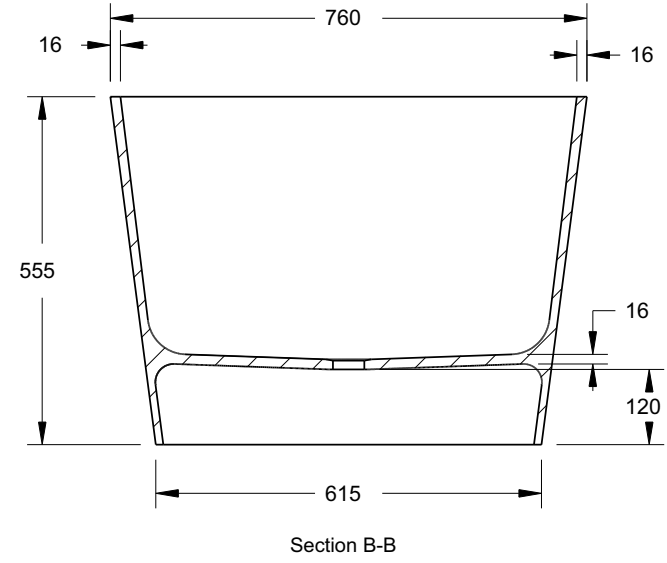
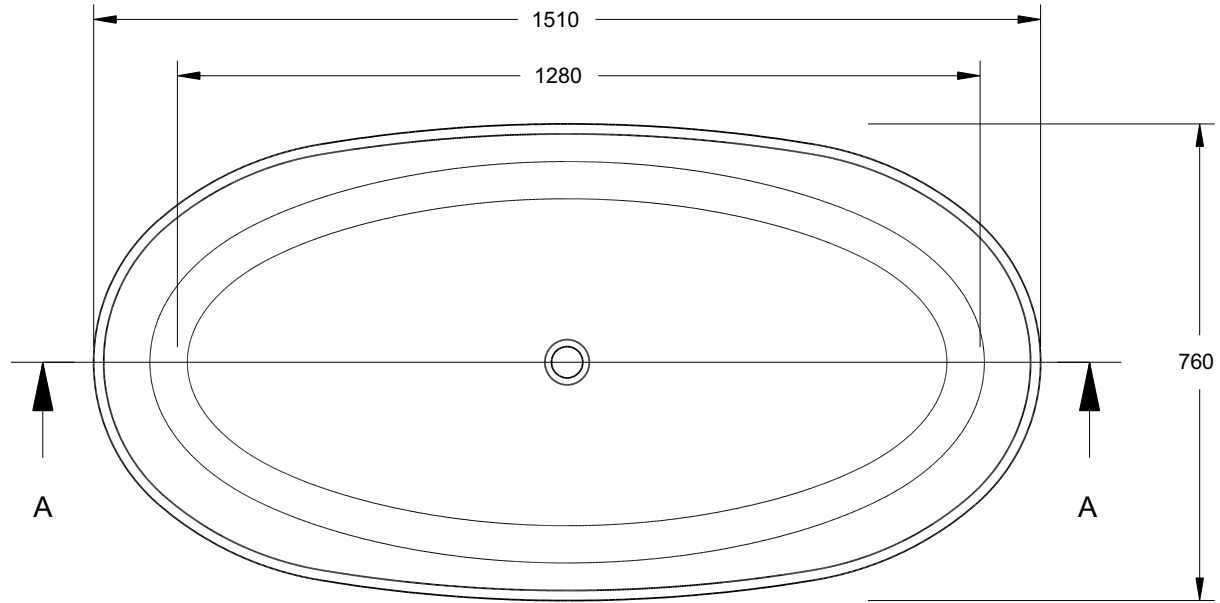


USED ON	NEXT HIGHER ASSEMBLY
-	-



REV	DRAWN	DATE	PARTICULARS	ECP No.

SCALE:
1:12 ON A3



DO NOT SCALE, USE DIMENSIONS.
ALL DIMENSIONS ARE IN mm

RESTRICTED

FINAL APPR		
APPROVED		
APPROVED		
CHECKED		
DRAWN	FVK	14/09/2017

MATL:	WEIGHT = 73 kg
TITLE:	SORPRESSA BATH
SUB TITLE:	Sorpressa Bath
CAD No:	DRAWING No: 5
	1/1 Rev: -