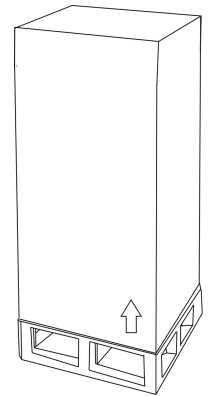
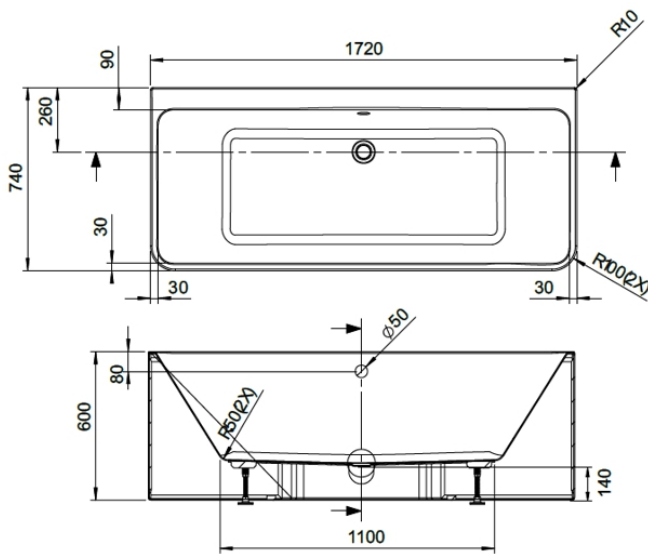


CUSTOMER SPECIFICATION SHEET - BATHS

SALES CODE: BAS022

DESCRIPTION: MURALI BACK-TO-WALL BATH



PRODUCT DIMENSIONS

Length (mm)	Width (mm)	Depth (mm)	Nett Wgt Kg
1720	740	600	61

PACKAGING DIMENSIONS

Length (mm)	Width (mm)	Height (mm)	Gross Wgt Kg
1750	770	640	62

PACKAGING DATA

Box Colour	Brown Cardboard Sleeve		
Box Qty	1	Label Colour	White Label
Label Size	100 X 50	Label Qty	2

OUTER BOX DIMENSIONS (If Applicable)

Length (mm)	Width (mm)	Height (mm)	Gross Wgt Kg
1200	800	1890	73
Barcode			

PRODUCT DETAILS

Country of Origin	China	Certification	FSC	CE
Fitting Instruction	No	Material Colour Ref	European White	
Product Material	Acrymite Acrylic	Waste Inc'	Push Down Waste Included	
Volume (Ltr)	220	Includes Grips	No Grips Supplied	
Leg Set Inc'	Legset Included	No of Tapholes	None	
Drilled/Undrilled	Undrilled For Taps			
Embossed	No			
Anti-Slip	No			