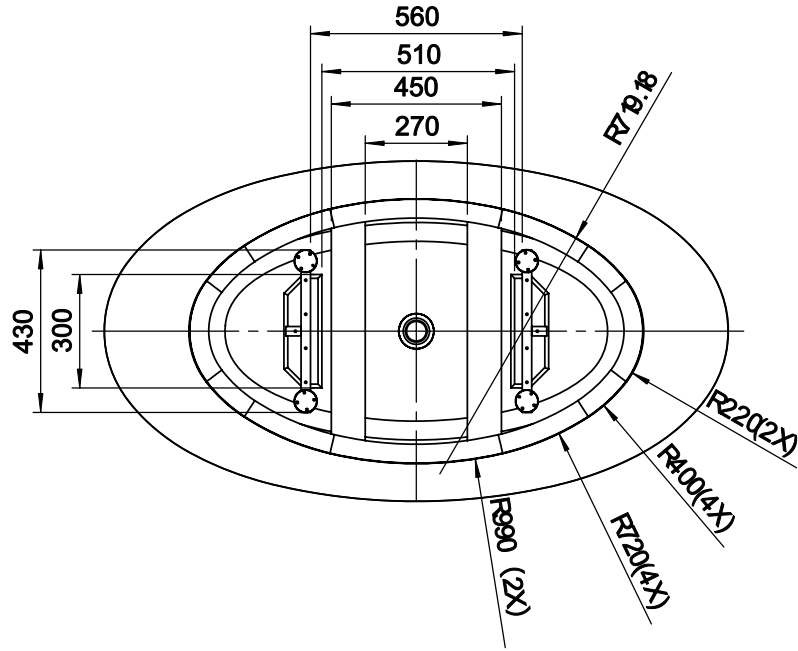
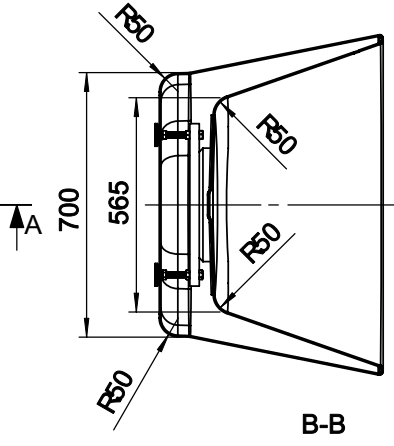
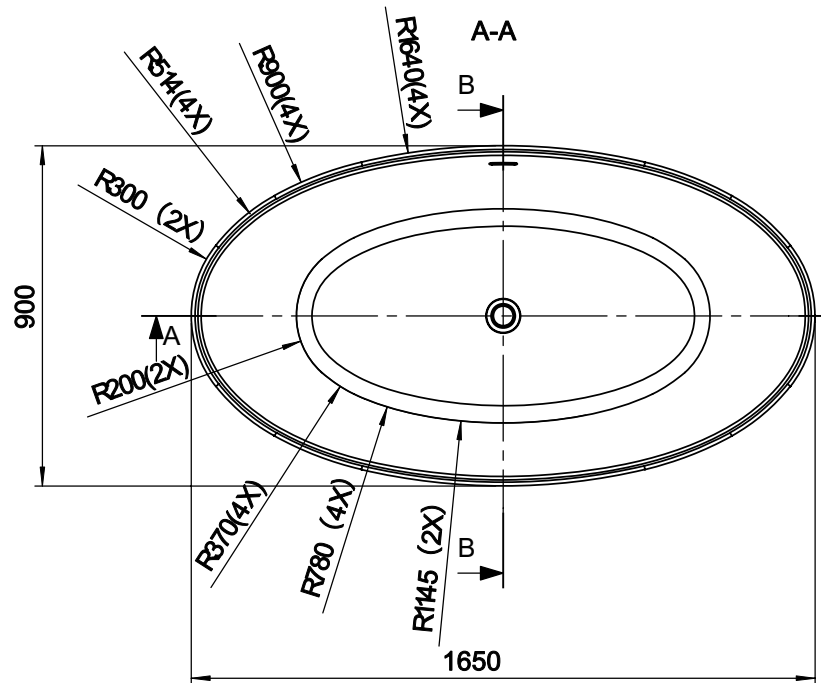
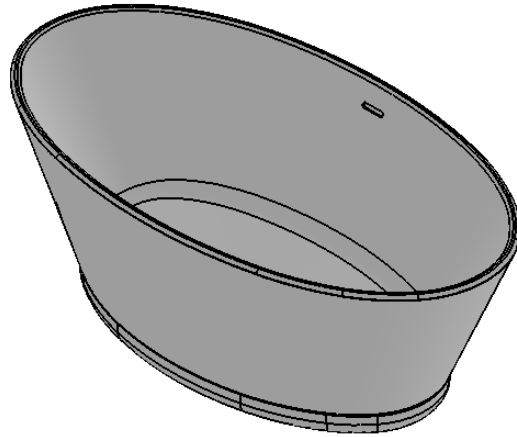
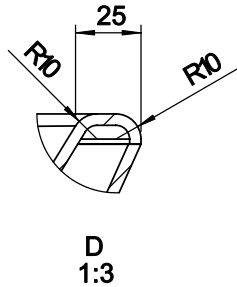
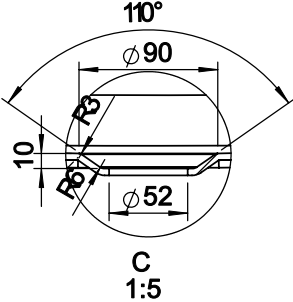
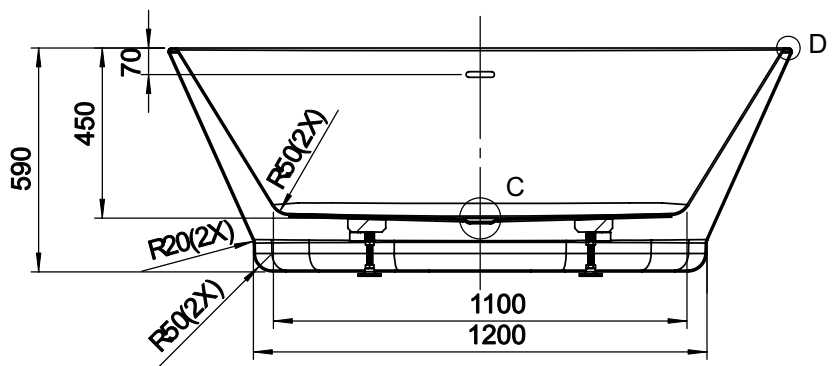


Rev	Description	Signature	Date



Proj Method	Signature	Date	bc designs			
	Approved by					
	Checked by		Material	Acrylic	Scale	1:20
	proofread by		Sheet Size	A4	Edition	01
	Drawn by		Name		1680mm Chalice Bath	
			Number			

A  
B  
C  
D

A  
B  
C  
D