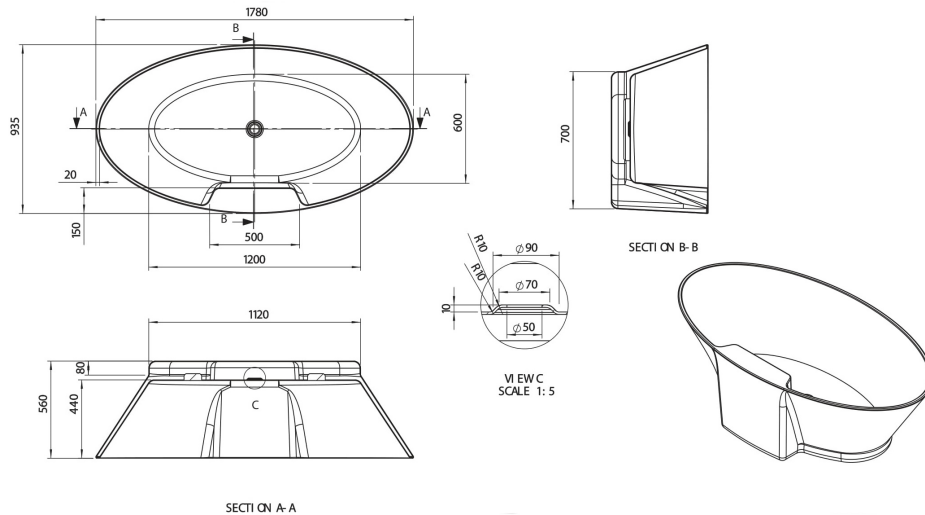


Sales Code: BAS015

Description: Chal Major 1780X935 Bath(Waste Included)



Product Dimensions

Length (mm):	0
Width (mm):	0
Depth (mm):	0
Nett Weight (kg):	47

Packaging Dimensions

Length (mm):	1780
Width (mm):	935
Depth (mm):	560
Gross Weight (kg):	47

Packaging Data

Box Colour:	
Box Qty:	0
Label Size:	0 x 0
Label Colour:	
Label Qty:	0

Outer Box Dimensions (If Applicable)

Length (mm):	
Width (mm):	
Height (mm):	
Gross Weight (kg):	
Barcode:	5056462608228

Product Details

Country of Origin:	Hong Kong
Fitting Instruction:	
Certification:	FSC: No CE & UKCA:
Material Colour Reference:	European White
Product Material:	
Material Thickness:	
Volume (Ltr):	
Displaced Capacity:	
Leg Set Included:	
Waste Included:	
Drilled/Undrilled:	
Includes Grips:	
Embossed:	
No of Tapholes:	
Anti-Slip:	