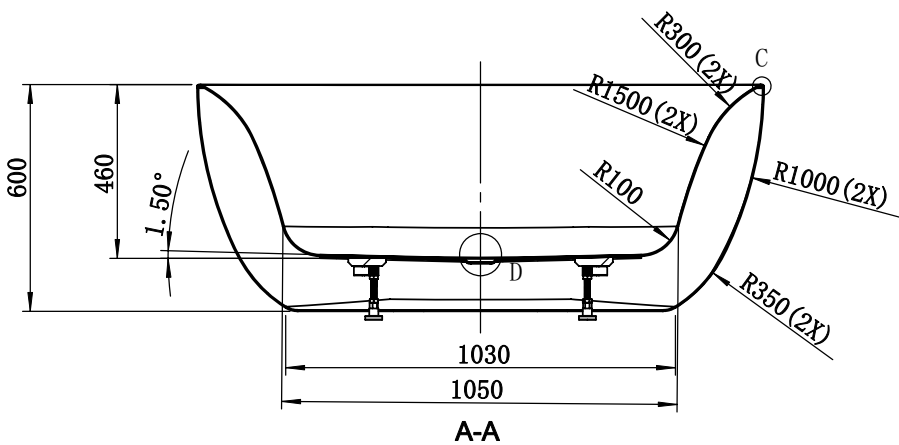
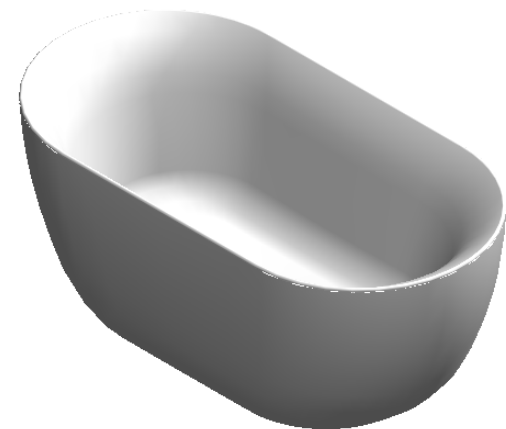
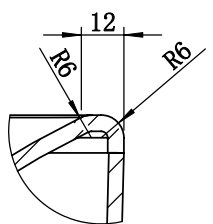
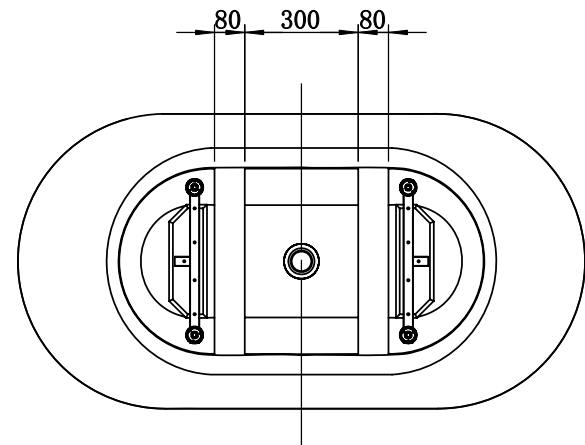
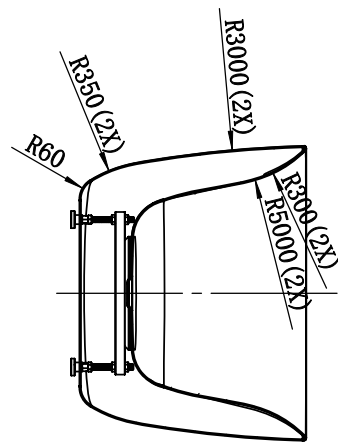
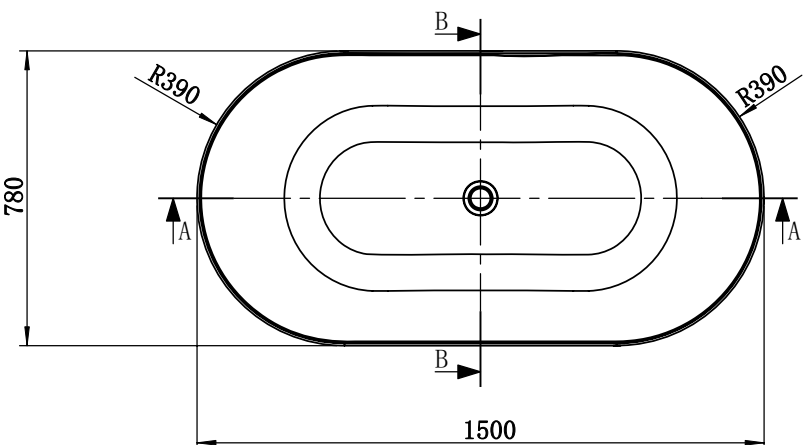
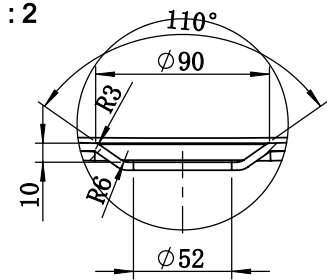


Rev	Description	Signature	Date



C  
1:2



Proj Method		Signature	Date	<b>bc designs</b>			
	Approved by						
	Checked by						
	Proofread by			Material	<b>Acrylic</b>	Scale	<b>1:20</b>
	Drawn by			Sheet Size	<i>A4</i>	Edition	01
	Name	<b>DINKEE Bath</b>		product no: <b>BAS012</b>			

A  
B  
C  
D

A  
B  
C  
D