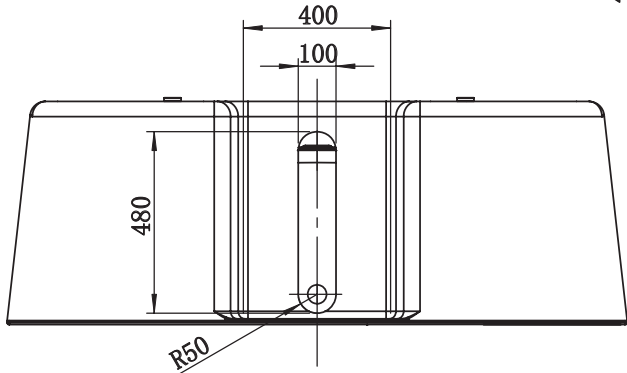
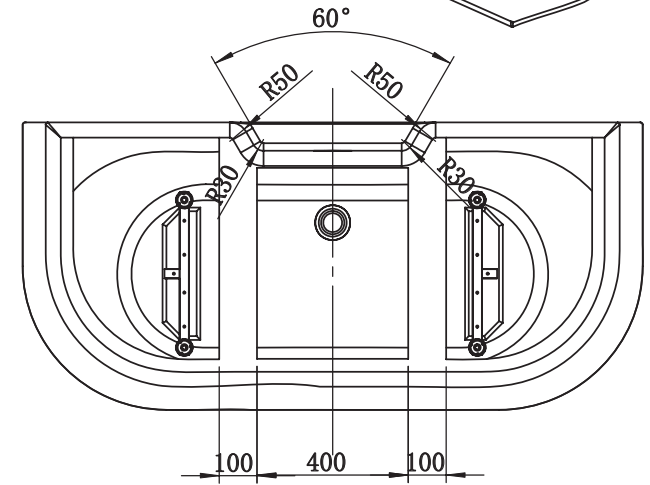
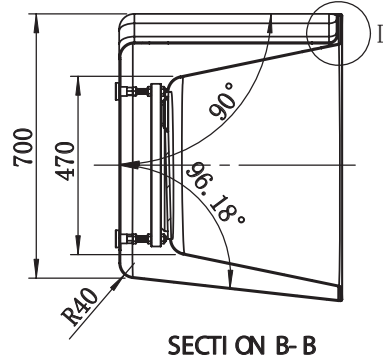
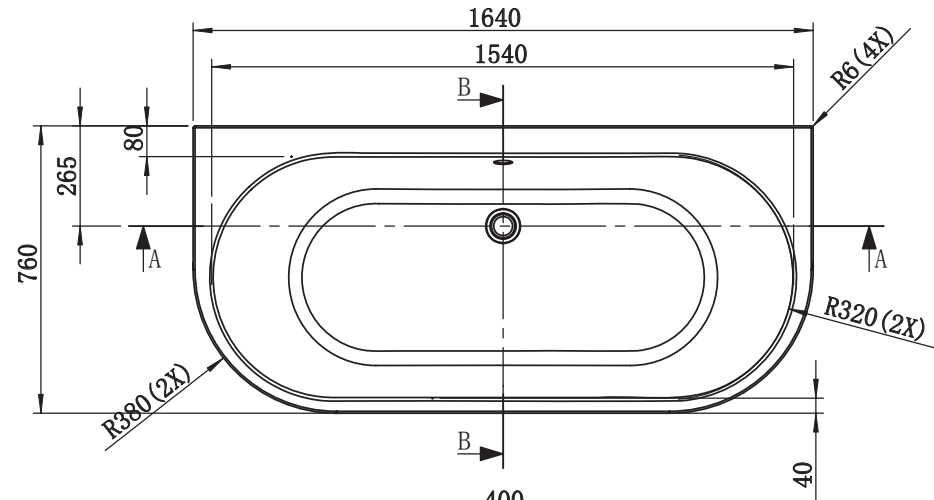
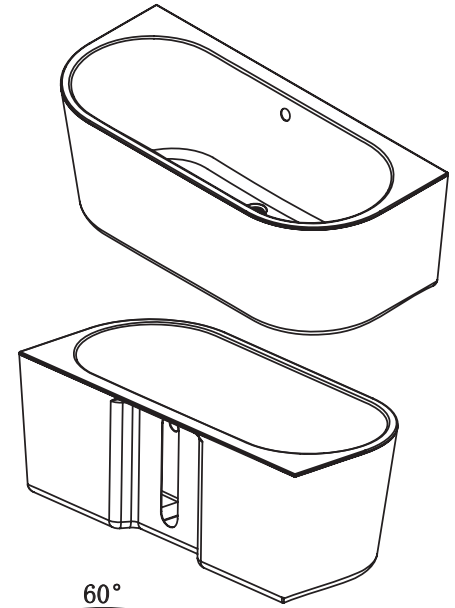
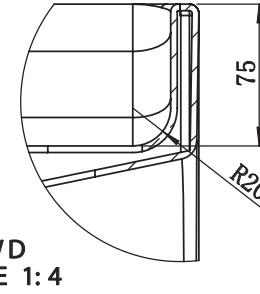
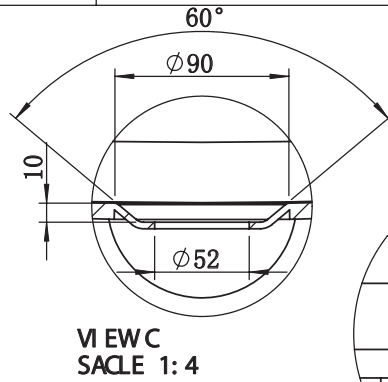
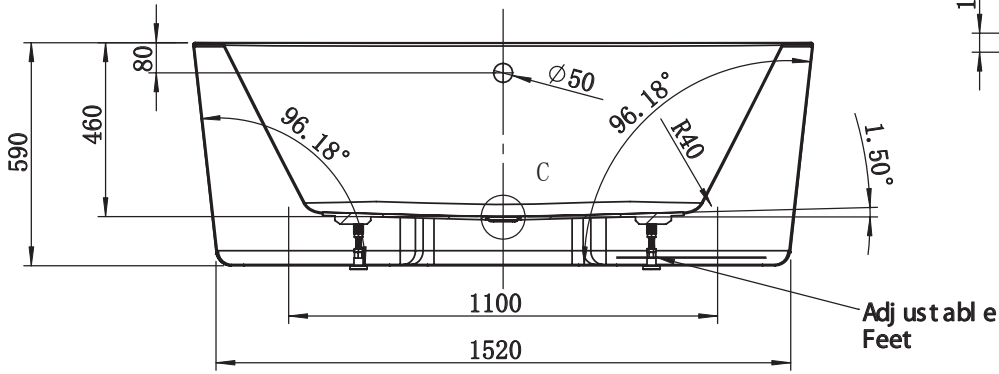


Rev	Description	Signature	Date



Proj Method	Signature	Date	BC DESIGNS			
	Approved by					
	Checked by		Material	Acryl	Scale	1:20
	proofread by		Sheet Size	A4	Edition	02
	Drawn by		Name	D BATH 02		Number